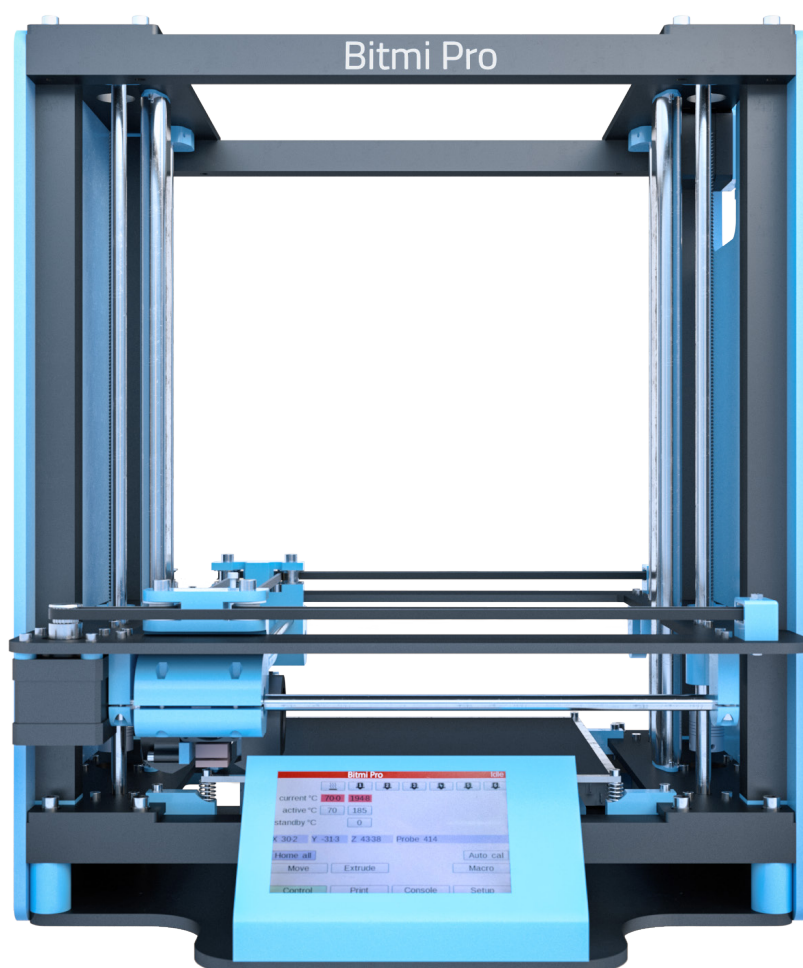
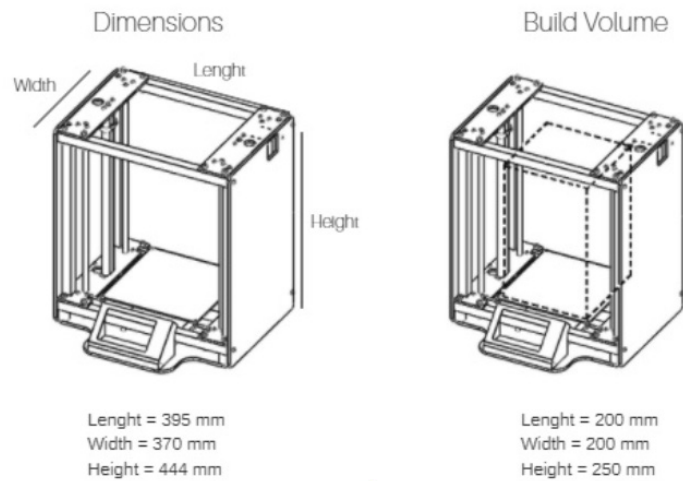


BITMI TECHNOLOGIES

BITMI PRO

Specifications Sheet





Printer and Printing Properties:

Print Technology	Fused Deposition Modeling
Print head	E3D V6 original with TAAC and ABL technology
Nozzle temperature	170 - 280° C
Nozzle diameter	0.4 mm standard
Build Plate	Heated bed with BuildTak sheet adhesion
Build plate temperature	20 - 100° C
XYZ accuracy	5, 5, 2.5 micron
Filament diameter	1.75 mm
Operating sound	~50 dbA
Connectivity	WiFi, LAN, USB port
Electronics	Duet Wifi, 32 bit processor, 120 MHz ARM Cortex
Weight	9.5 kg

Power Requirements

Input	100/240V 50/60 Hz
Output	24V 8.3A 200W max

Ambient conditions

Operating ambient temperature	15 - 35° C
Storage temperature	0 - 35° C

Software

Recommended slicer

Supported OS

Input file types

Output file types

Slic3r, Cura

MacOS, Windows

STL, OBJ

GCODE, SVG

Mechanical

Mechanics

Construction

Painting

Motors

Printed parts material

H-Bot

5mm aluminium thick

Powder coated

1.8° step angle with 1/32 micro-stepping

PET